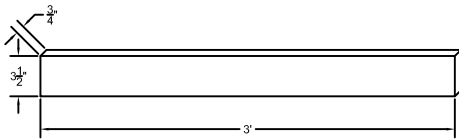
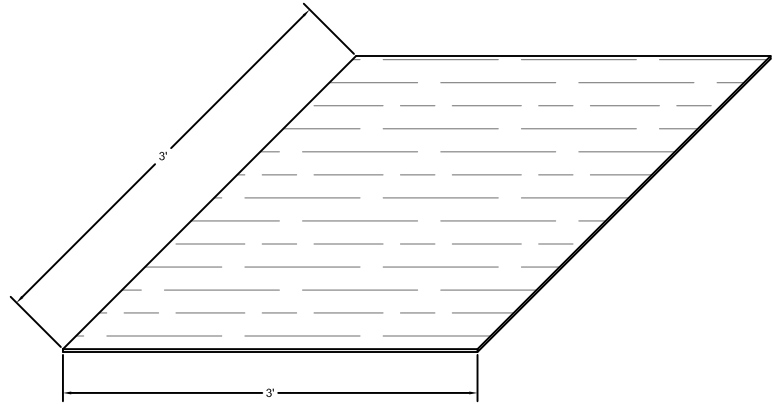


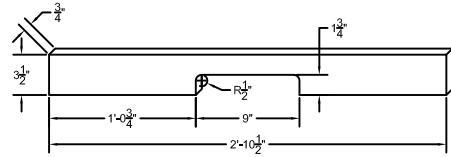
PLANS COURTESY OF PACK 340, SAN JOSE CA



1x4 SIDE RAILS
4 REQUIRED



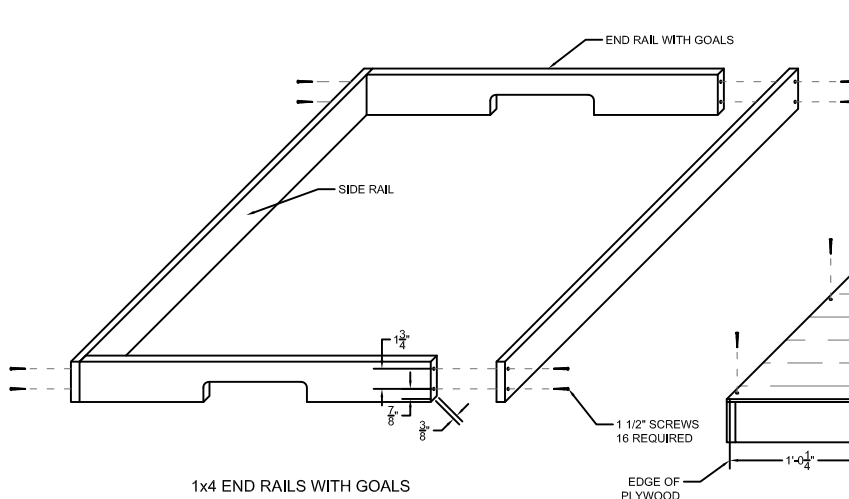
PLYWOOD BASE
2 REQUIRED



1x4 END RAILS WITH GOALS
4 REQUIRED

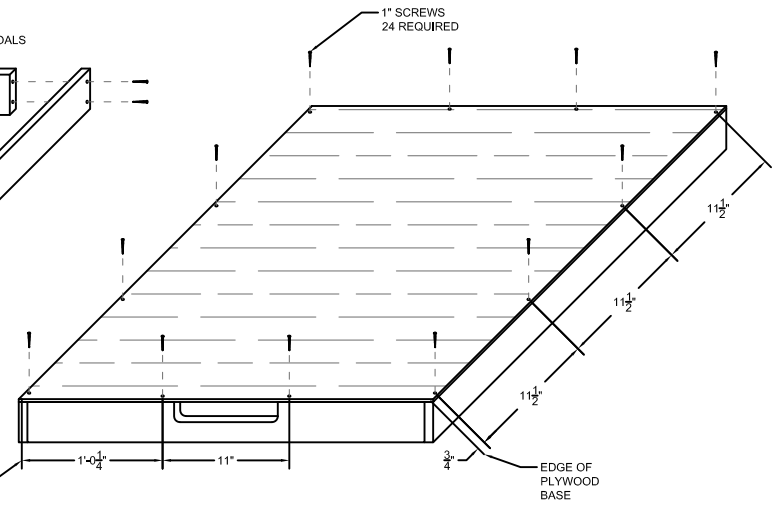
- STEP 1: CUT 1X4'S INTO 4 SIDE RAILS
CUT 1X4'S INTO 4 END RAILS
CUT GOALS INTO END RAILS
CUT PLYWOOD INTO 2 BASE PIECES
- NOTE: 1X4 DIMENSIONS MAY VARY

- MATERIALS REQUIRED:
4 1X4 8' IN LENGTH
16 1 1/2" WOOD SCREWS
24 1" WOOD SCREWS
2 BUCKLES OR LATCHES

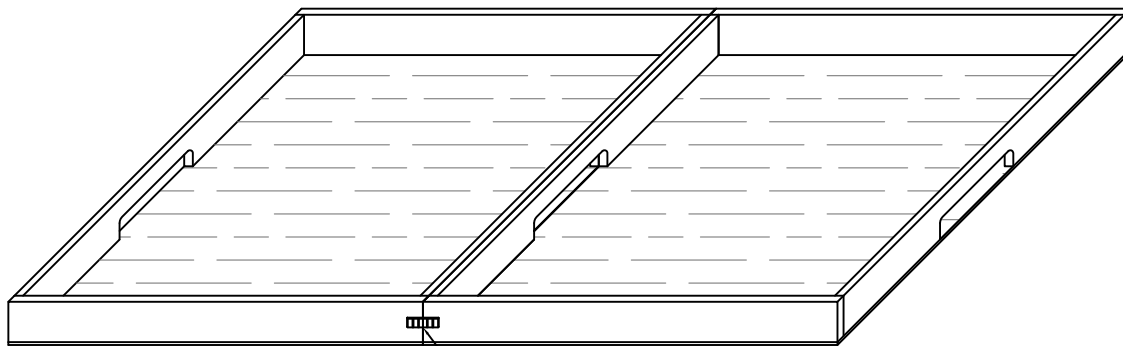


1x4 END RAILS WITH GOALS

- STEP 2: MAKE 2 BOX FRAMES WITH SIDE RAILS AND END RAILS AS SHOWN.
- NOTE: PRE DRILL HOLES TO PREVENT WOOD FROM SPLITTING



- STEP 3: ATTACH BOX FRAMES TO PLYWOOD BASES. MAKE SURE GOAL OPENINGS ARE ON THE PLYWOOD SIDE OF THE BOX FRAMES.



BUCKLE OR LATCH.
OPPOSITE SIDE SAME
AS SHOWN.
2 REQUIRED

- STEP 4: ATTACH BUCKLES/LATCHES TO THE OUTSIDE EDGES OF THE BOXES.

- STEP 5: PLAY BOX HOCKEY. ENJOY AND HAVE FUN!